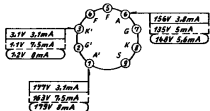


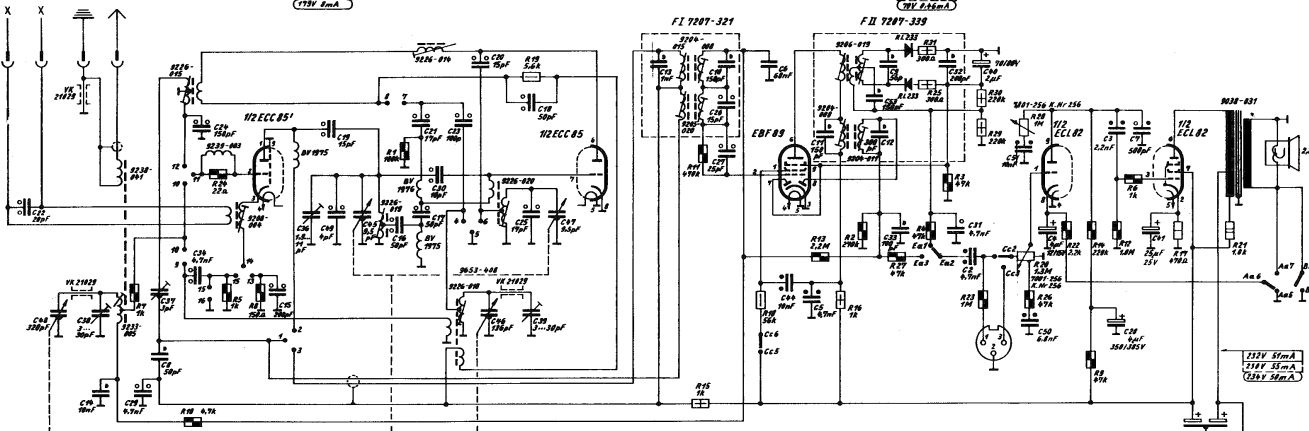
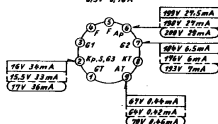
ECC 85
6.3V A+35A



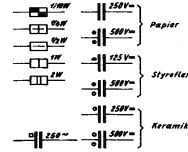
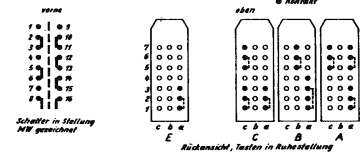
EBF 89
6.3V 0.3A



ECL 82
6.3V 0.70A

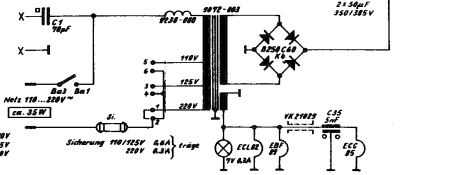


AM/FM-Spaltensatz Nr 7922-876
ZF = 660 kHz / 10.7 MHz



Spannungen mit BRÜNDIG Abdruckvoltmeter
bei 250V^o gegen Masse gemessen.
Nennwerte gelten für $\overline{U_{AV}}$, $\overline{U_{AV}}$, $\overline{U_{AV}}$
ohne Signal an der Antenne.

Änderungen vorbehalten



G Nr: d 13

C:	22, 48,	10, 30,	29,	8, 27,	36, 20,	15,	36, 49, 127,	66,	26,	77, 71, 30, 23,	30, 16, 25,	10, 30, 47,	15,	10, 20, 27,	6, 6, 6,	11, 5,	12, 53, 9, 30, 1,	32, 2, 71, 01,	29,	51,	6,	7, 12, 7,	91,	35,	62,	62,
R:	7,	10,	10,	20, 5, 8,	1,	19,	11, 15,	10,	13,	16, 2,	27,	6, 31, 25, 3, 23,	20, 26,	10, 20, 10,	22,	8, 10,	12, 6,	17,	17,	17,	17,	17,	17,	17,	17,	17,